

MATERIAL SPECIFICATIONS:

Body & Housing: PA, UL-94V-HB / UL-94V-0 rated, color black

Contacts: Bronze, Gold plated

MECHANICAL SPECIFICATIONS:

Contacts: 8

Durability: >5000 mating cycles.

Cable Diameter: 2.5 - 8mm

Wire gauge: 24AWG max.

ELECTRICAL SPECIFICATIONS:

Rated current:: 2A per contact

Rated voltage: 175V

Contact resistance: <15 mohms

Rated impulse voltage: 1750V

IEC/UL 61010-1 SPECIFICATIONS:

Material group: I, II

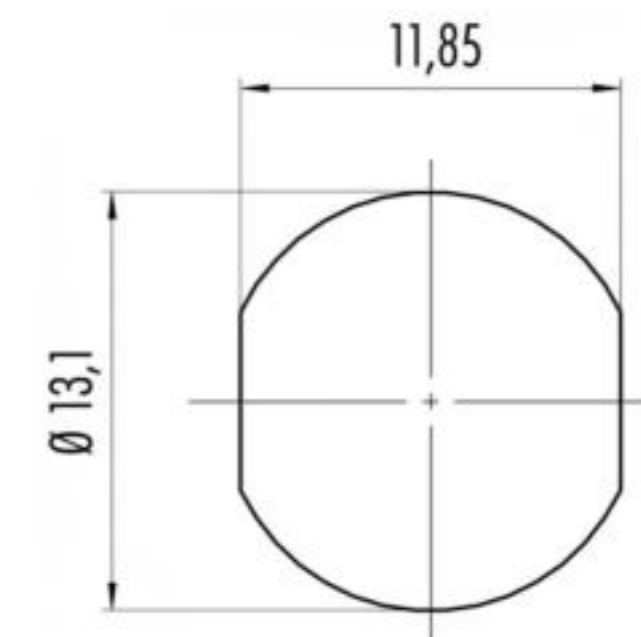
Overload category: II

Pollution degree: 2

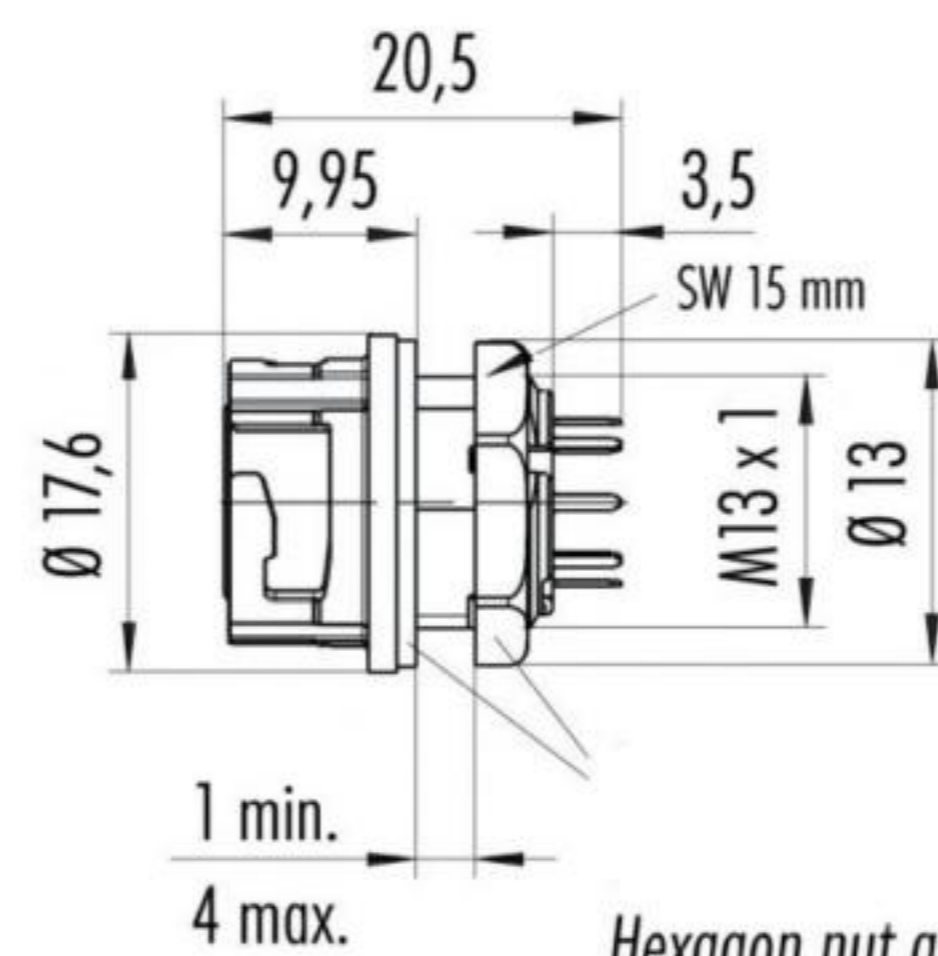
ENVIRONMENTAL SPECIFICATIONS:

Degree of Protection: IP67 unmated and mated

Operating Temperature: -25°C ~ +85°C

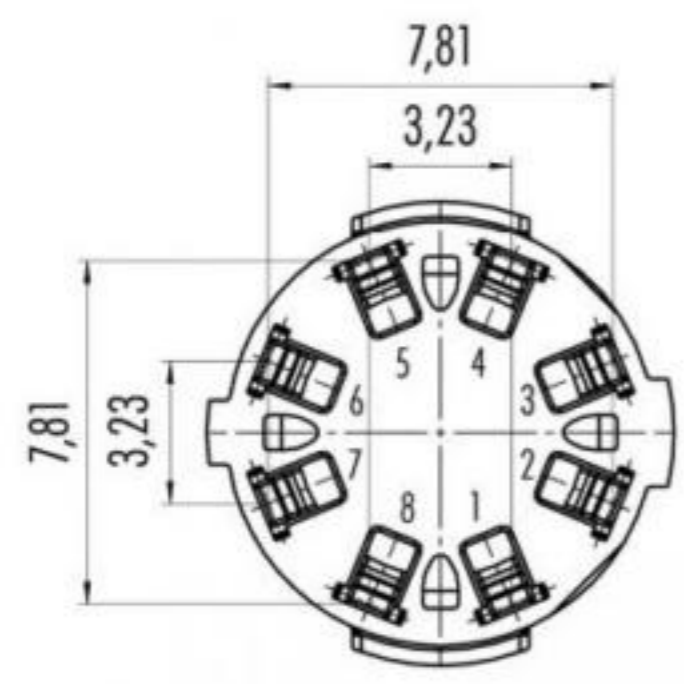


PANEL CUTOUT



Hexagon nut and flat seal enclosed loose

RoHS COMPLIANT



	X	Y
1	1,62	-3,90
2	3,90	-1,62
3	3,90	1,62
4	1,62	3,90
5	-1,62	3,90
6	-3,90	1,62
7	-3,90	-1,62
8	-1,62	-3,90

TOLERANCE UNLESS OTHERWISE SPECIFIED	
X	± 1
X.X	± 0.4
X.XX	± 0.13
DRAWN BY: PB	DATE: 10/27/14
CHECK BY:	DATE:
APPR BY:	DATE:

Power Dynamics, Inc.
 Phone: 973 560-0019 Whippany, New Jersey Fax: 973 560-0076

PART: HARSH ENVIRONMENT CONNECTOR
 SERIES 2 FEMALE PANEL MOUNT; PCB PINS

PD-HEC2-FPC-P

SCALE: NTS

ALL DIMENSIONS FOR REFERENCE ONLY
 DIMENSIONS ARE IN MILLIMETERS

SHEET 1 of 1

REV	DATE	CHANGE	CHK	CHK	APPR